

# OCULUS | HD Disposable LenZ

For single-use on the Zeiss Resight®



The perfect view  
in every case

- 130° wide angle field of view with outstanding resolution in the periphery
- HD clarity under high magnification reduces the need for a contact lens
- Full-field clarity for decreased scleral depressing and panretinal laser
- Excellent depth of field for better stereopsis
- Improved view during air/fluid exchanges

# NEW HD Disposable LenZ

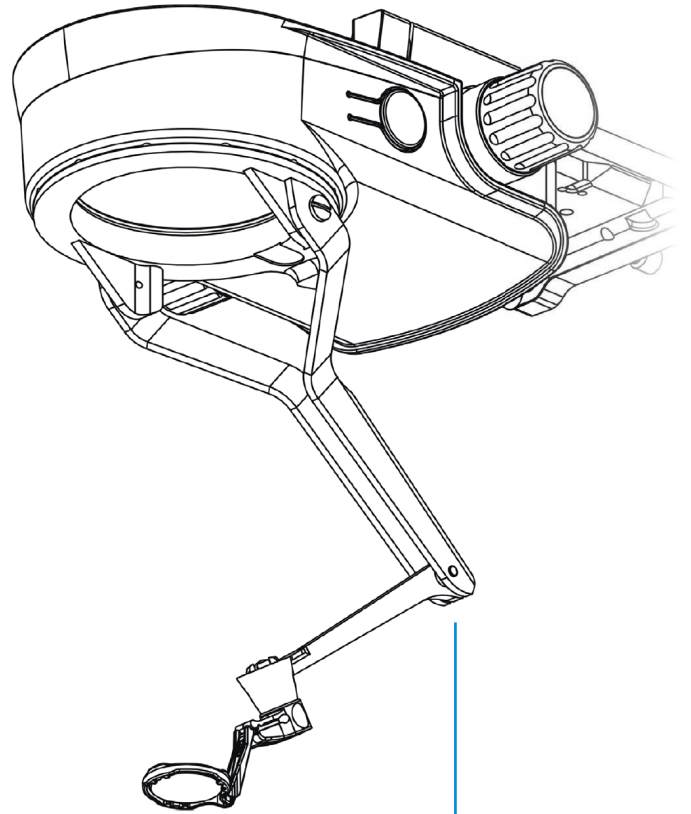
- Always ready, convenient blister pack design
- Minimizes risk of infection and cross contamination
- No sterilization "down time" for O.R. increased efficiency



Convenient and sterile blister package



OCULUS HD Disposable LenZ



OCULUS  
HD Disposable LenZ

Zeiss  
Resight®

[WWW.OCULUSSURGICAL.COM](http://WWW.OCULUSSURGICAL.COM)



OCULUS is certified by TÜV according to  
DIN EN ISO 13485

#### Headquarters:

OCULUS Optikgeräte GmbH  
Postfach • 35549 Wetzlar • GERMANY  
Tel. +49 641 2005-0 • Fax +49 641 2005-299  
Email: [support@oculussurgical.de](mailto:support@oculussurgical.de) • [www.oculussurgical.com](http://www.oculussurgical.com)

#### OCULUS Surgical, Inc.

562 NW Mercantile Place, Ste. 104  
Port St. Lucie • FL 34986 • USA  
Toll free 855 SDI BIOM • Tel. 772 236 2622  
Email: [info@oculussurgical.com](mailto:info@oculussurgical.com) • [www.oculussurgical.com](http://www.oculussurgical.com)